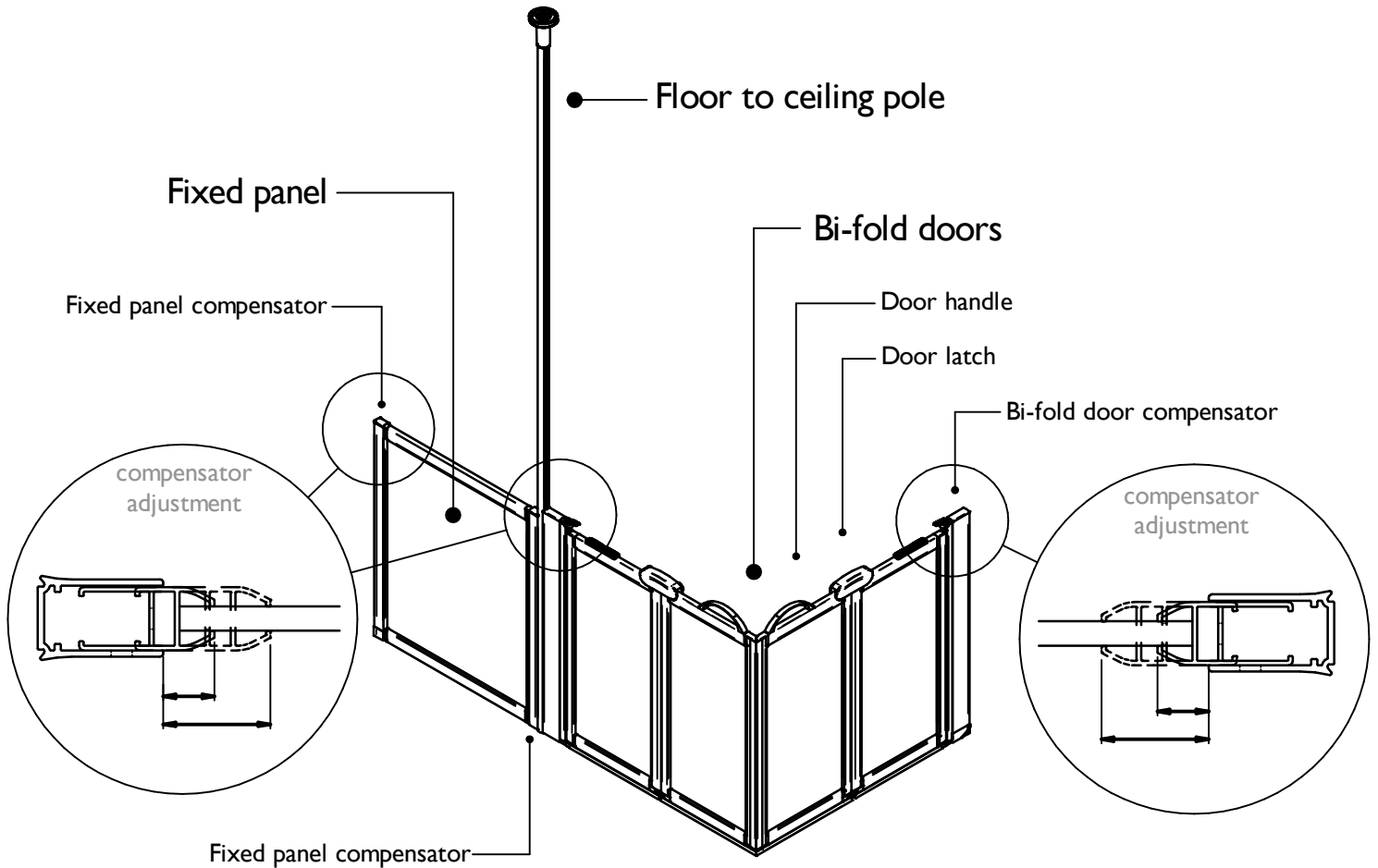


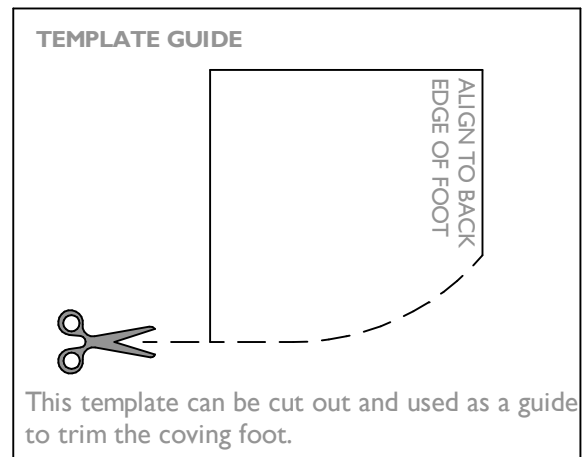
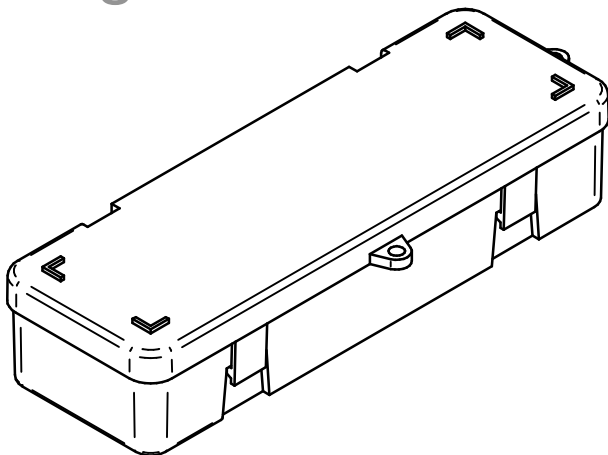
SAFETY

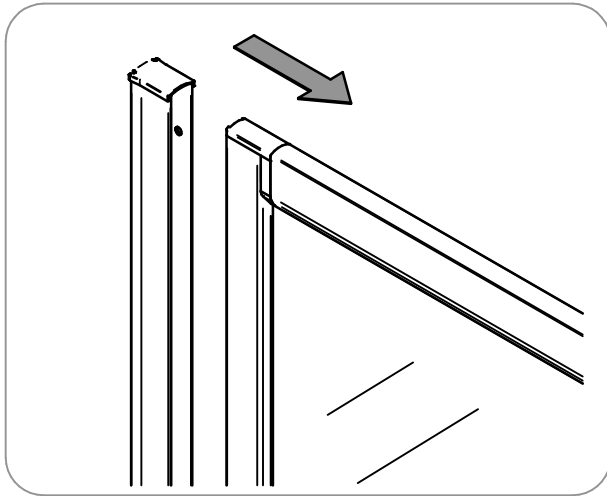
- Please read this installation instructions carefully before proceeding.
- Keep guide for future reference
- If you are unsure about any part of the installation, please contact our technical department on: 01460 258 682
- Incorrect installation will invalidate the guarantee
- Make sure there are no hidden pipes or cables in the floor or walls where you intend to drill.
- Wear safety goggles, shoes and appropriate clothing.

The door system explained

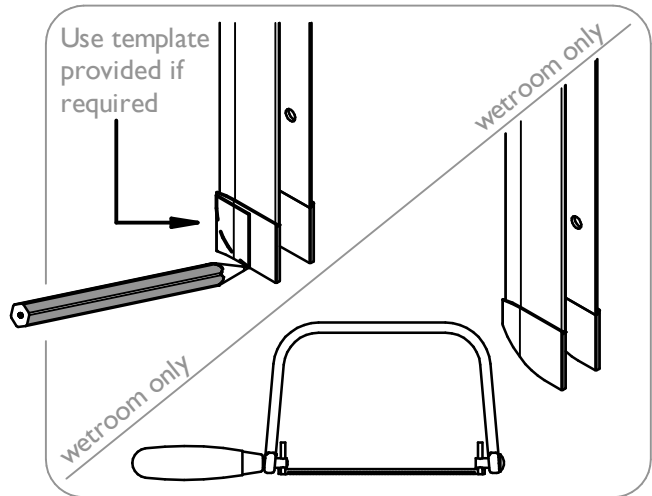


Fitting kit B2

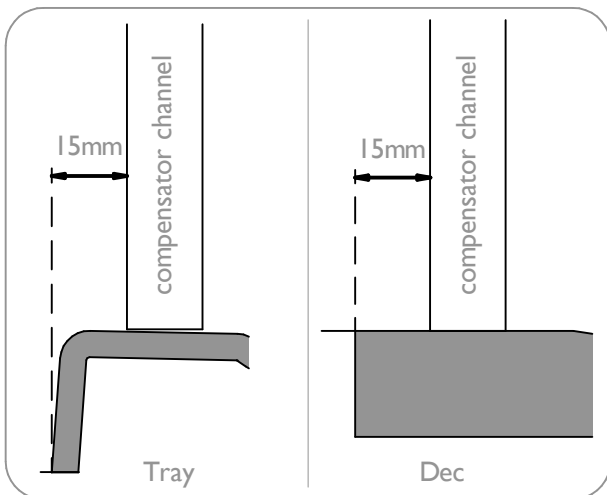




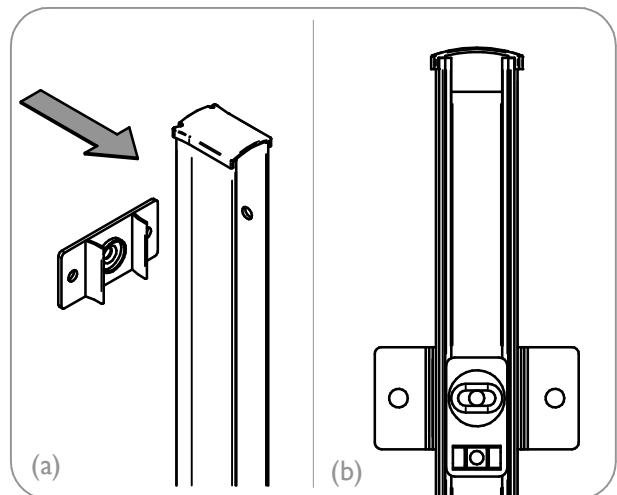
Remove the panel from the wall fixing channel.



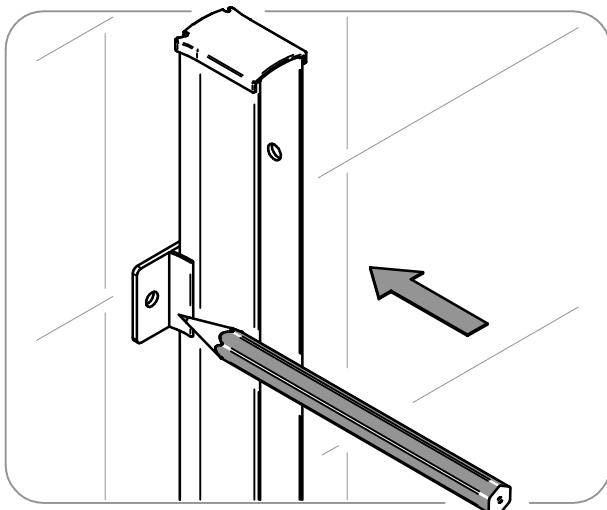
2 In a wetroom installation the plastic coving foot must be trimmed to match the floor coving profile. Use an appropriate tool to trim as shown.



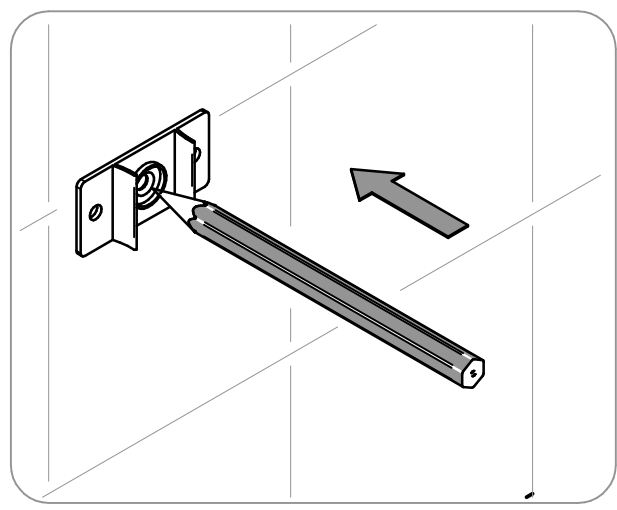
3 Position the compensator channel 15mm inboard from the edge of the tray/dec as shown.



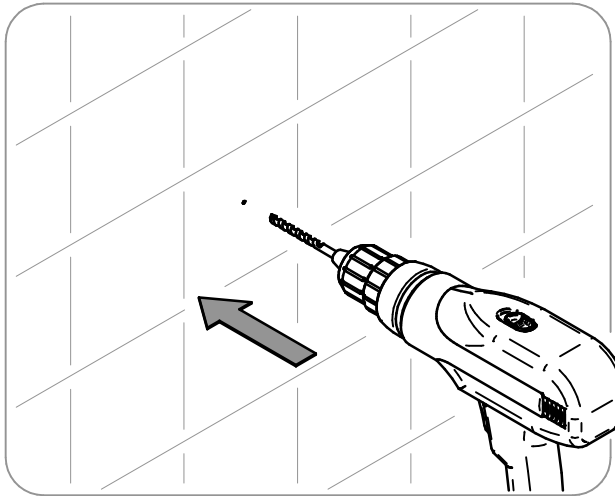
4 (a) Clip the two plastic locating plates in place. (b) Align the spirit level bubble.



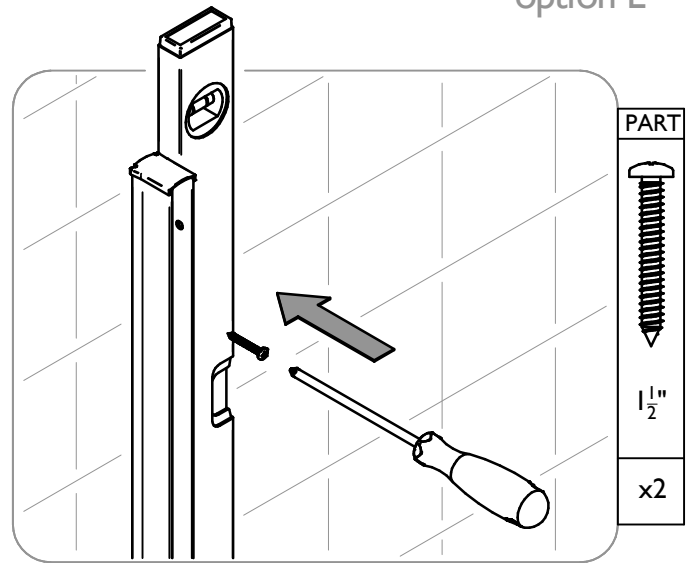
5 Mark the two alignment points, repeat for the lower fixing. **DO NOT DRILL MARKINGS**



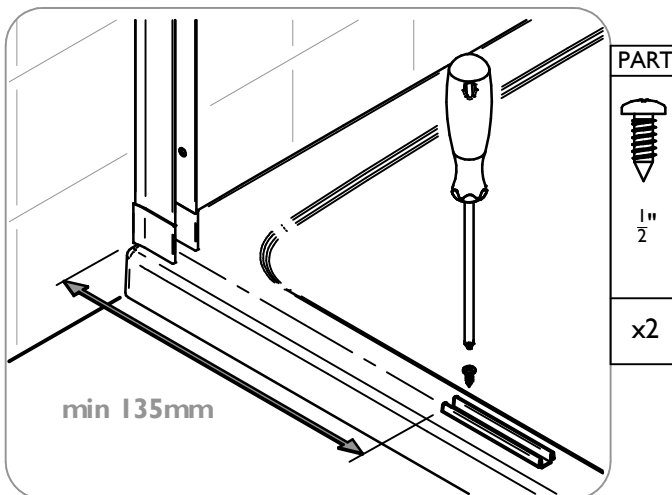
6 Unclip the marking plate and align with the previously marked points. Mark the centre hole for drilling. **DO NOT DRILL OUTER POINTS**



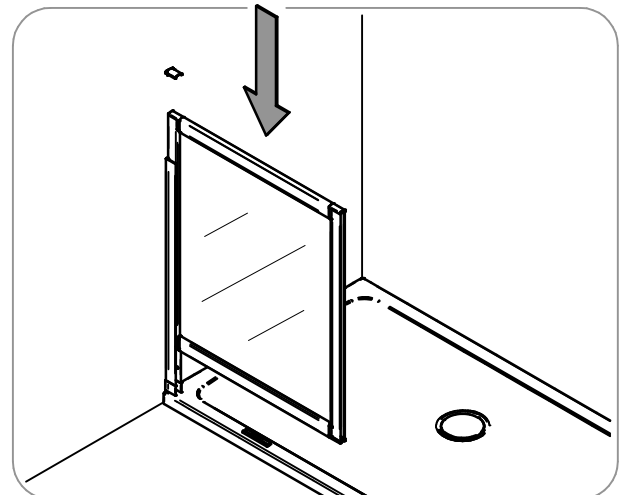
7 Using a suitable drill bit, drill the marked centre hole only.



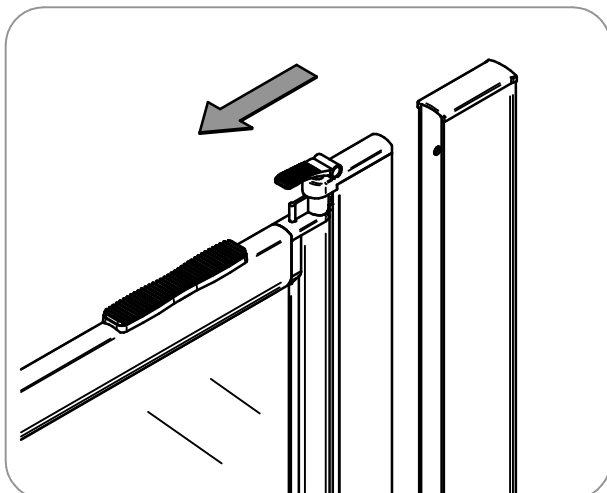
8 Using appropriate fixings, screw the wall channel into position, ensuring the channel remains vertical.
Note: Screw plugs may be required



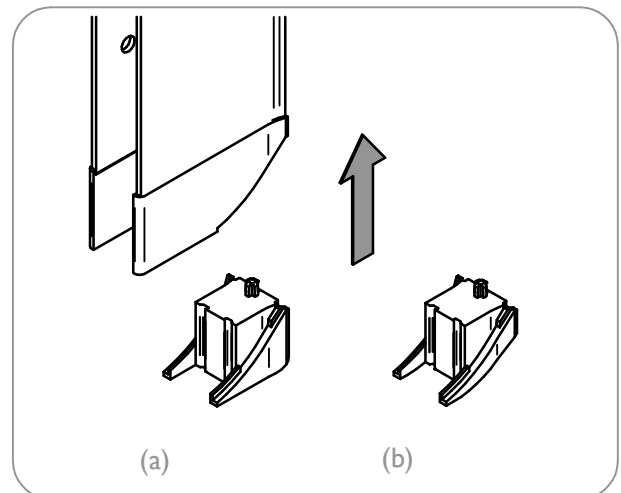
9 Drill and screw the panel fixing extrusion to the tray/dec using the fixings provided.



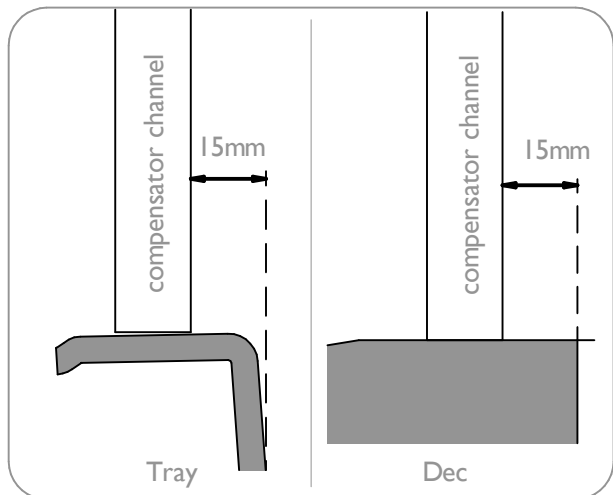
10 Fit the panel into position as shown and clip into place. **Caution: Once clipped down the panel cannot be removed.**



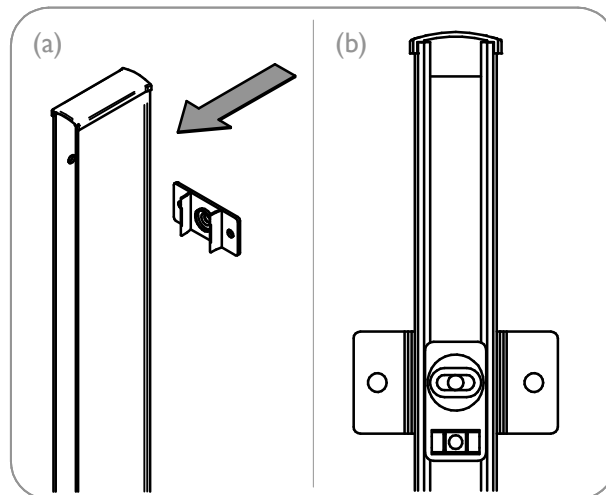
11 Remove door from compensator.



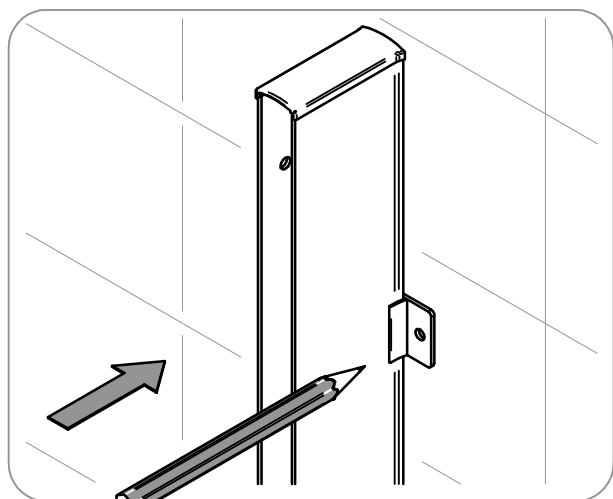
12 Select the correct coving foot for your installation:
(a) shower tray
(b) 30-35mm cove former - wetrooms



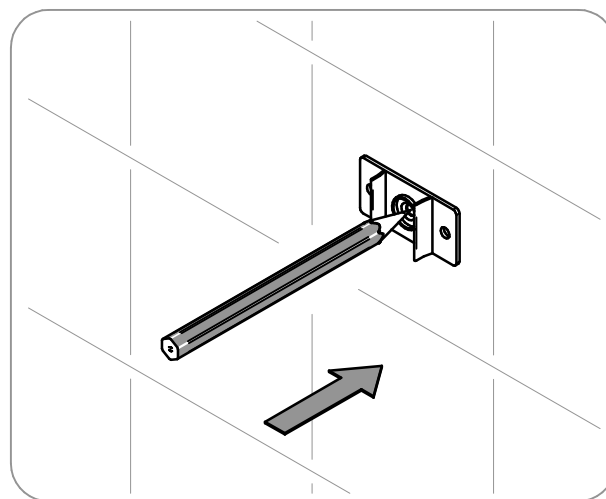
13 Position the compensator channel 15mm inboard from the edge of the tray/dec as shown.



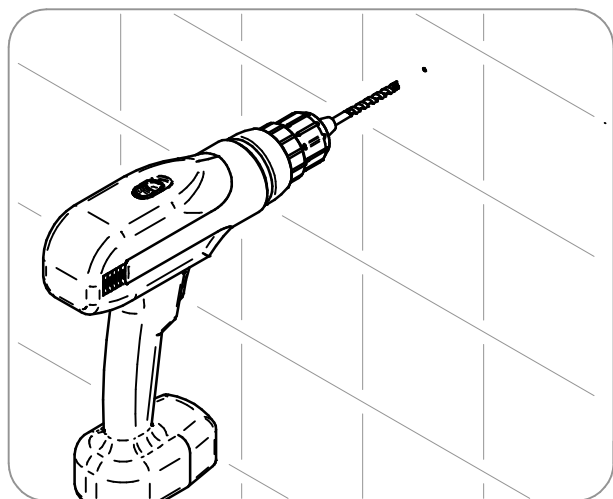
14 (a) Clip the two plastic locating plates in place. (b) Align the spirit level bubble.



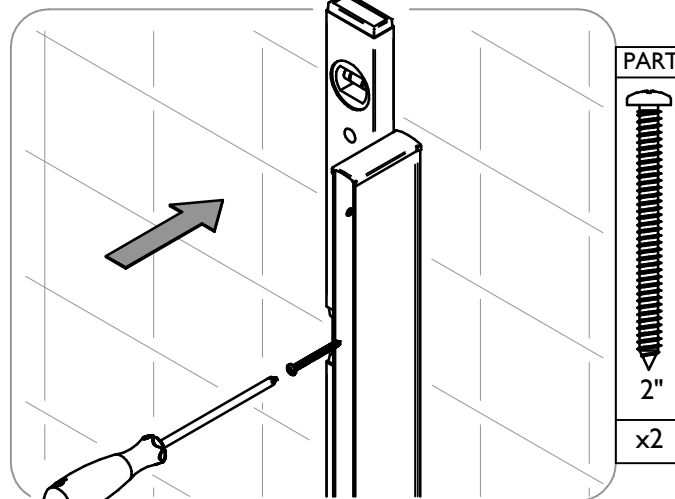
15 Mark the two alignment points, repeat for the lower fixing. **DO NOT DRILL MARKINGS**



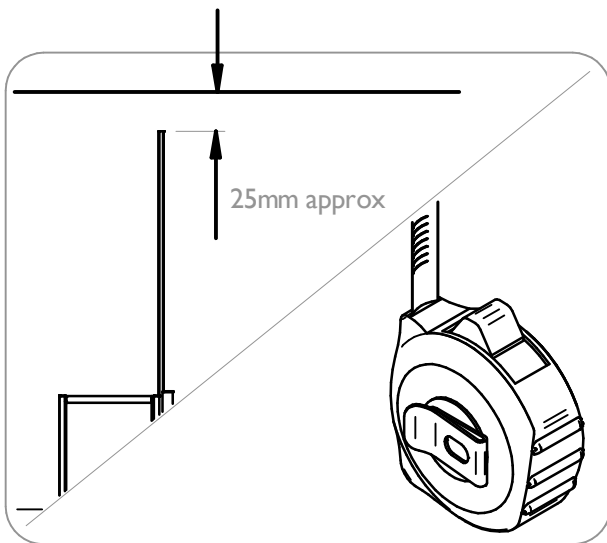
16 Unclip the marking plate and align with the previously marked points. Mark the centre hole for drilling. **DO NOT DRILL OUTER POINTS**



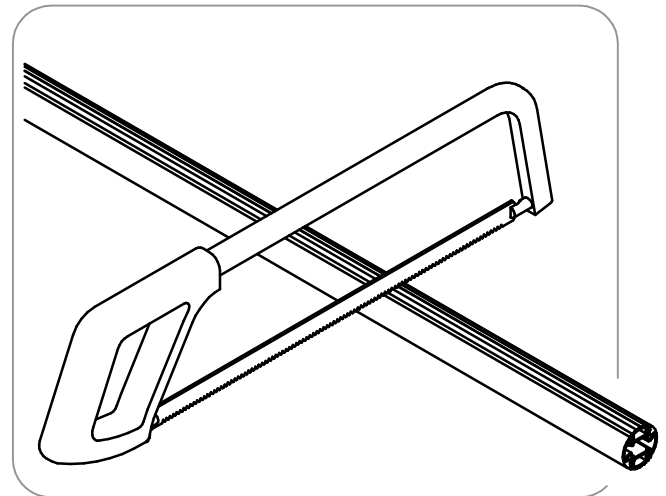
17 Using a suitable drill bit, drill the marked holes.



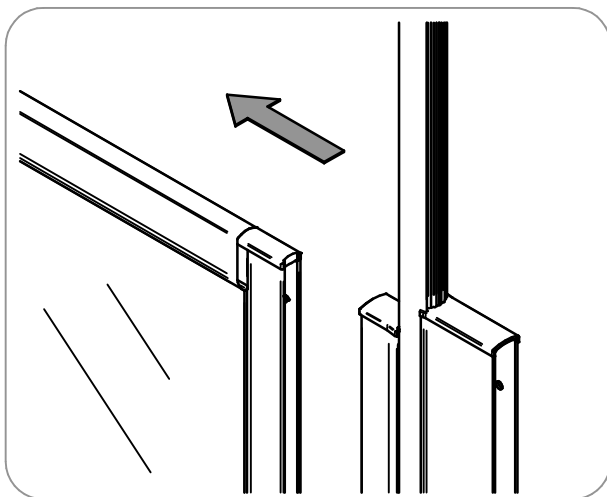
18 Using appropriate fixings, screw the door compensator channel into position. **Note: Ensure compensator remains vertical. Screw plugs may be required**



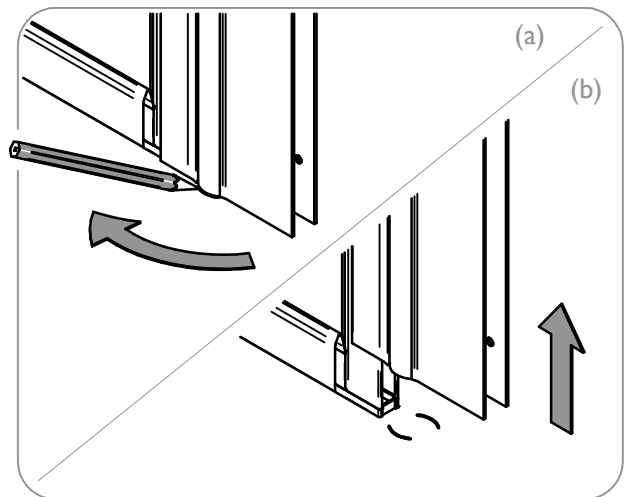
19 Measure the ceiling height and deduct 25mm.



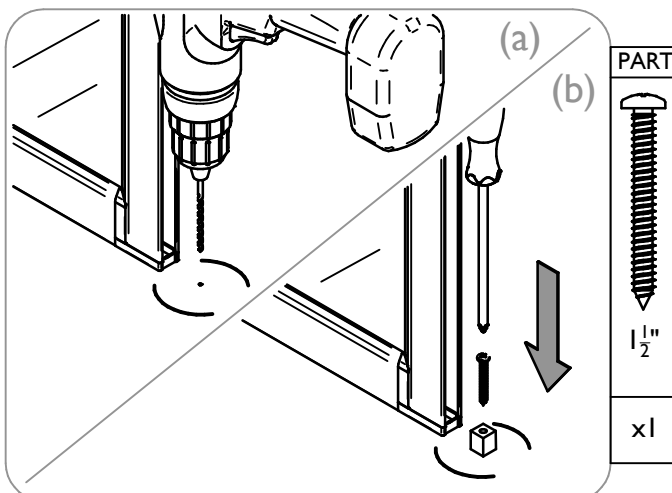
20 Cut the pole and capping strip to length.



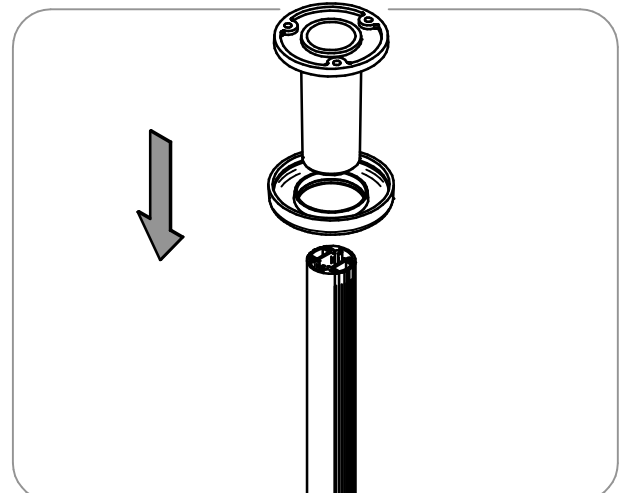
21 Slide the pole over the fixed panel.



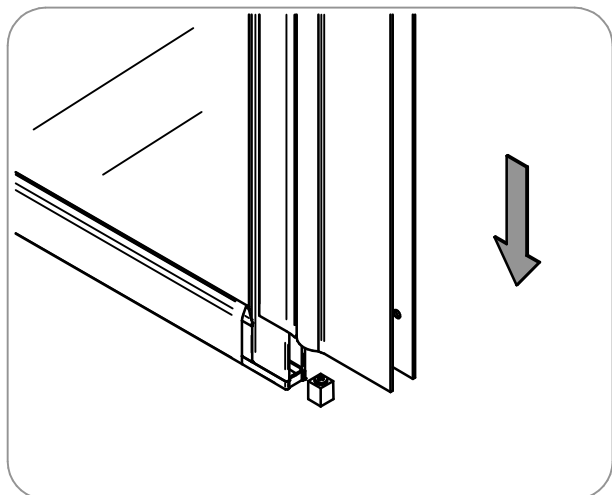
22 (a) Mark position of floor to ceiling pole.
(b) Remove pole.



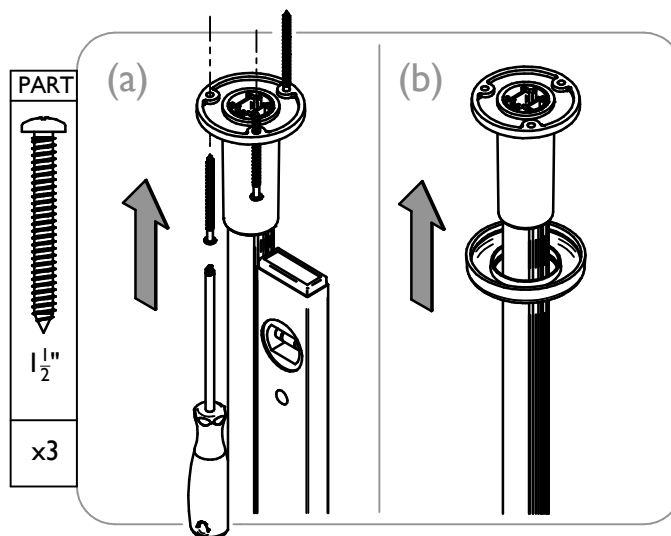
23 (a) Mark and drill the centre point of the pole.
(b) Screw down the pole mounting block.
Note: Screw plug may be required.



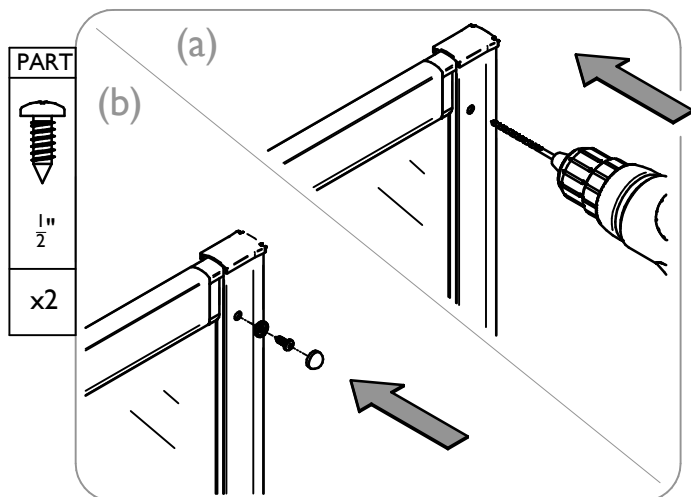
24 Slide on ceiling mount and cap.



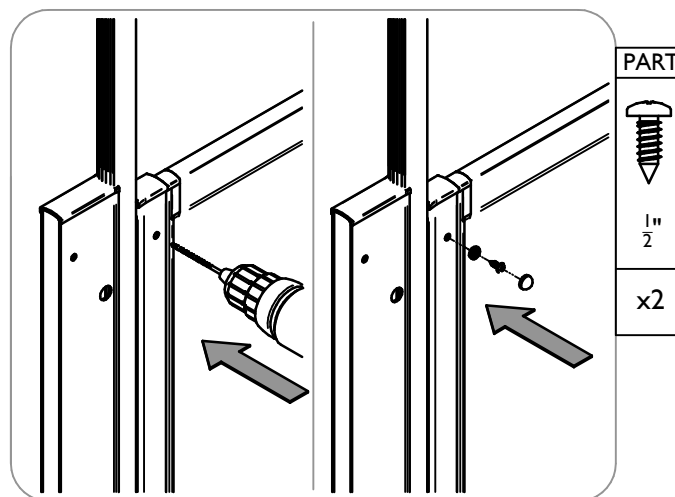
25 Position pole assembly back in place over mounting block.



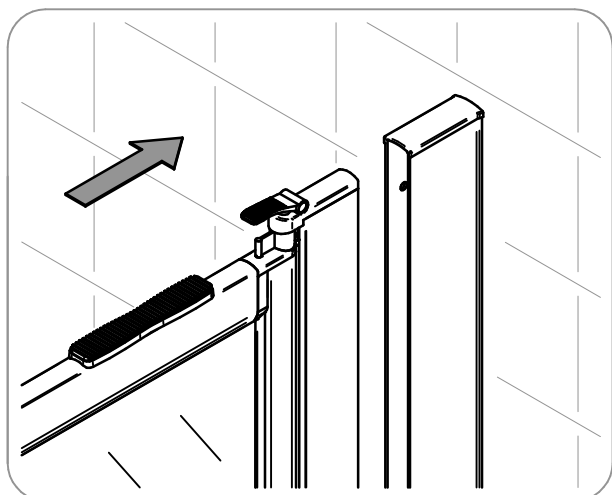
26 (a) Ensure pole assembly is vertical and screw to ceiling. (b) Push on cover cap.
Note: Screw plugs may be required.



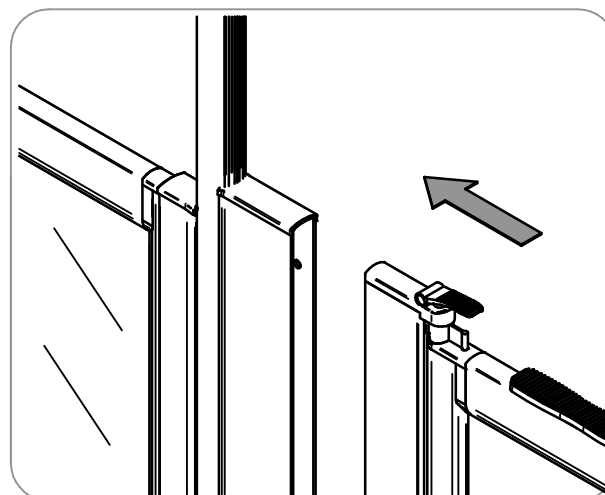
27 Drill and screw the lock up holes (x2) in the wall side fixed panel compensator .



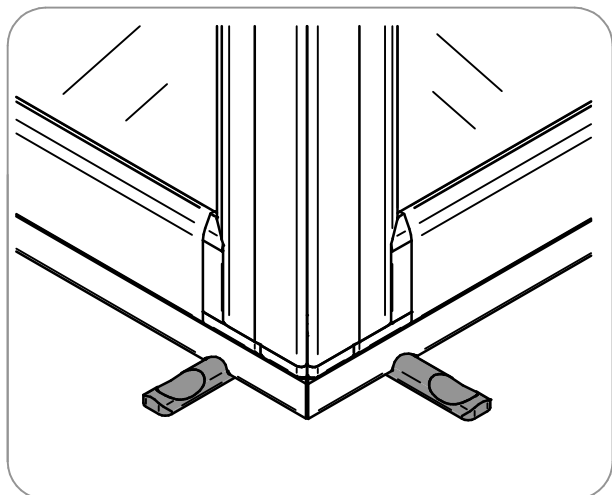
28 Drill (using a 3.5mm bit) and screw the lock up holes (x2) in the pole side fixed panel compensator.



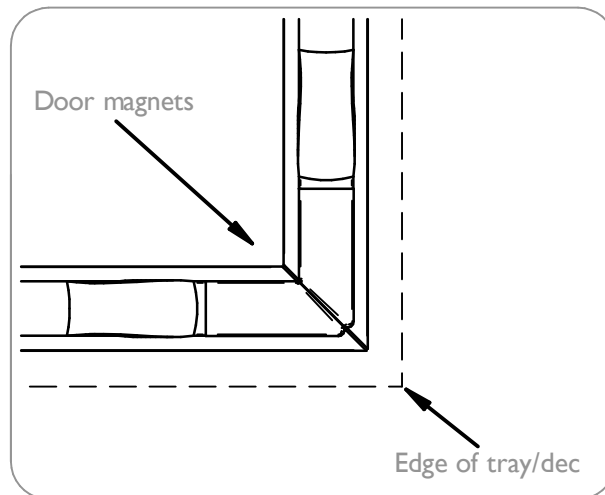
29 Insert the door into the wall compensator.



30 Insert the opposite door into the pole compensator.

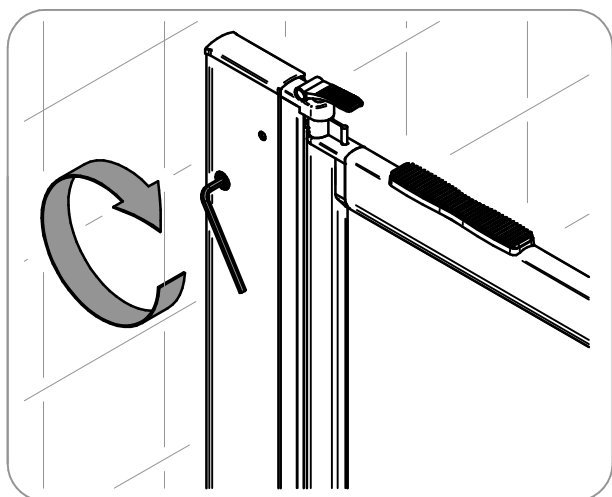


31 Allow doors to rest on door setters as shown. This ensures the doors are correctly height adjusted.

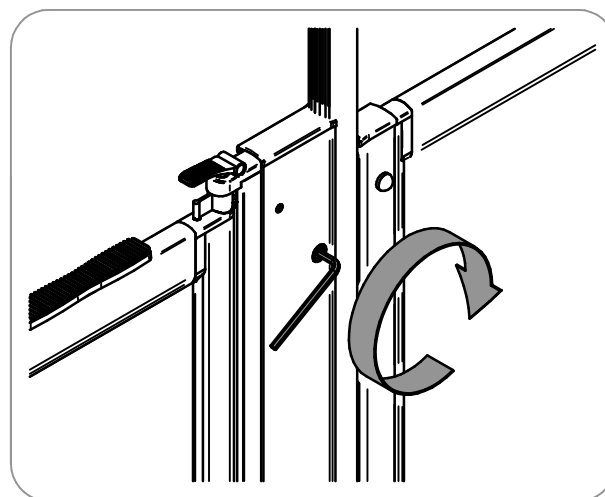


*Left hand installation shown

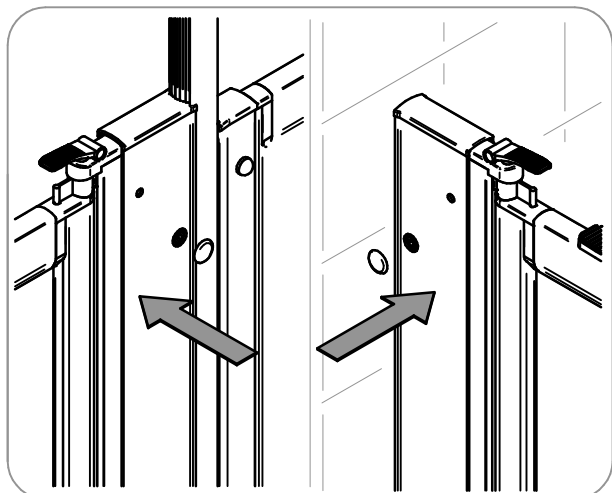
32 Align doors as shown.*
Magnets must meet and doors must be positioned on inside edge of tray/dec.



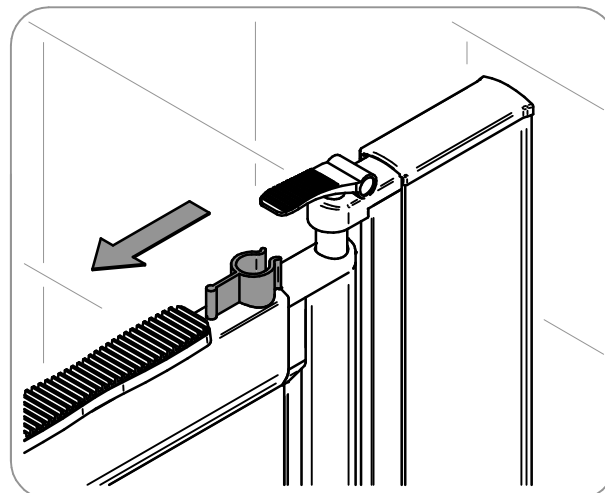
33 Once the doors are correctly aligned, tighten the upper and lower hex screws with the allen key provided.



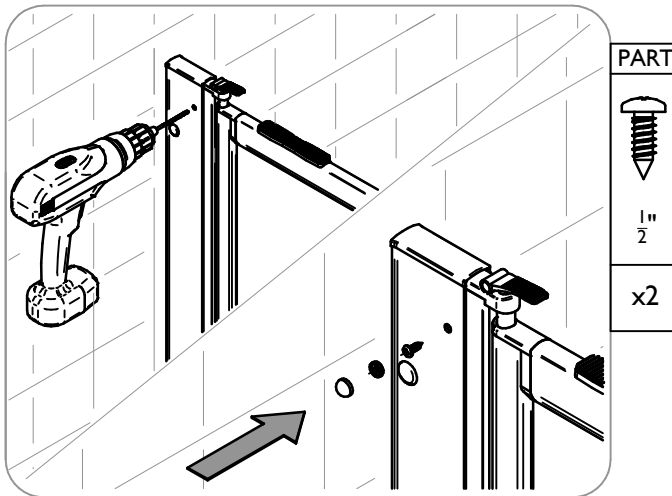
34 Tighten the upper and lower hex screws on opposite door with the allen key provided.



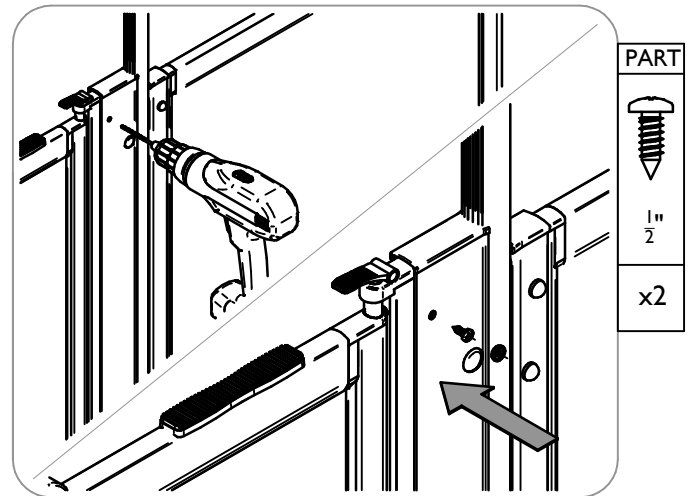
35 Push caps into place over hex screws (x4).



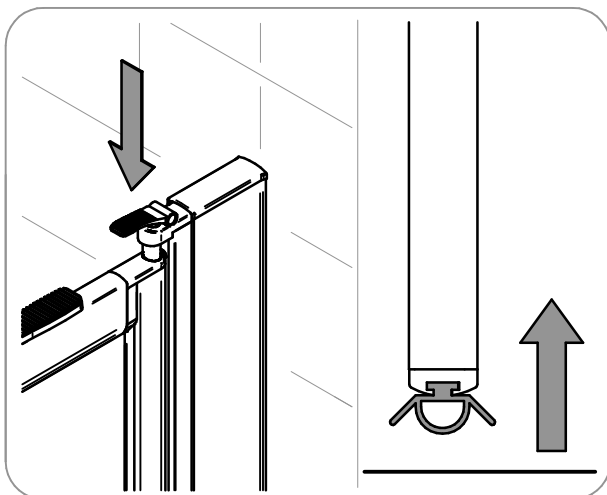
36 Remove both the door transport clips.



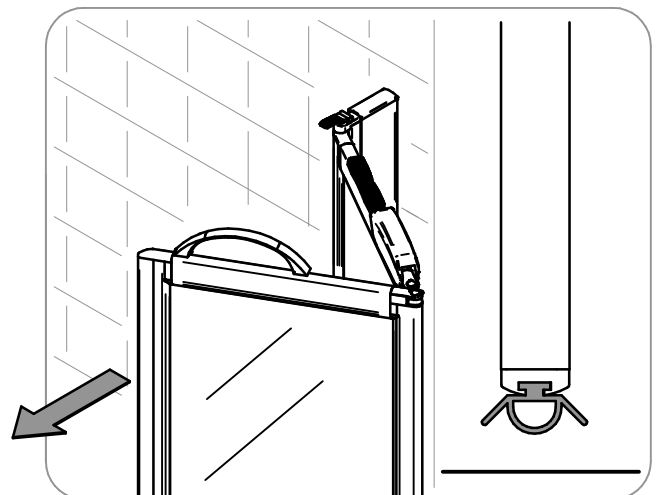
38 Drill (using a 3.5mm bit) and screw lockup holes (x2) in wall side door compensator.



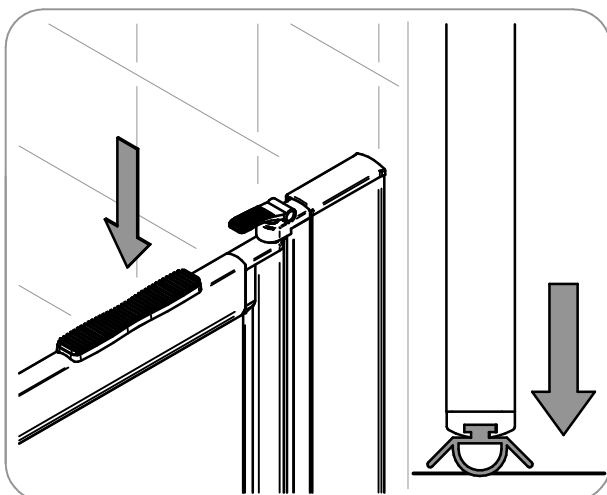
39 Drill (using a 3.5mm bit) and screw the lockup holes (x2) in the pole side door compensator.



40 Press the release lever to raise the door.

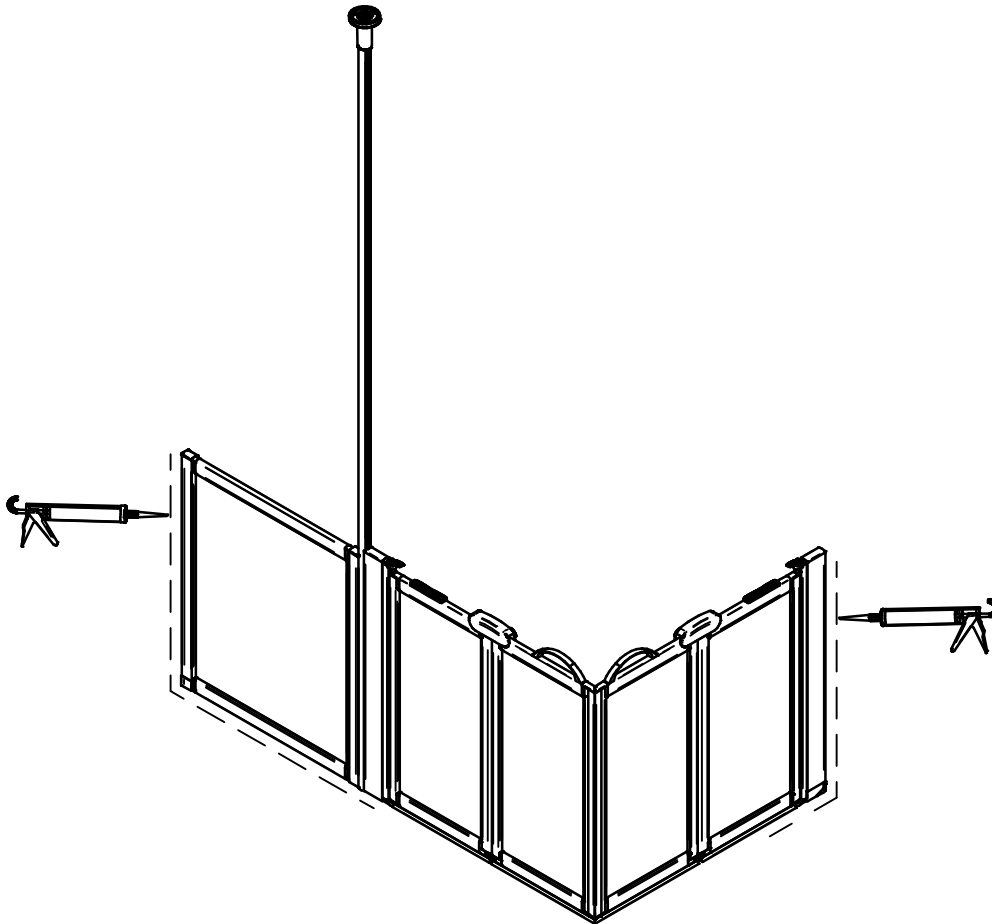


41 Test the door operation to ensure the doors meet and the floor seal does not drag.

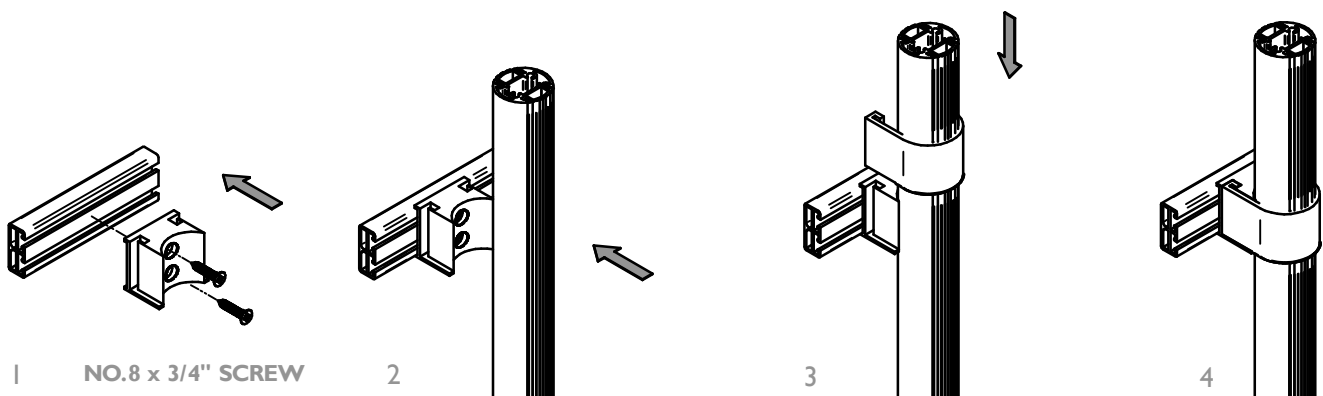


42 Press down on the push pad to latch the door in the down position again.

Silicone around the door



Fixing a curtain rail to the pole



If you are unsure about any part of the installation, please contact our technical department on: 01460 258 682

Impey Showers
Conquest Business Park
Cad Road Ilton
Somerset
TA19 9EA

T: 01460 256080
F: 01460 259800

info@impeyshowers.com
www.impeyshowers.com

impey